

ELR-61 / ELR-M61 ELR-62 / ELR-M62

EARTH LEAKAGE RELAY
DIN RAIL MOUNTING VERSION

GENERALITY



The **ELR-61 -ELRm-61 -ELR-62 -ELRm-62** are serie of Earth Leakage Relays manufactured within a modular enclosure, according with DIN 43800 Standard, with 6 modules width (module base 17,5mm.).

An outstanding characteristic of the present relays, is the permanent control of the Toroidal - ELR circuit.

Its interruption brings along the immediate trip of the protection. This allows to identify the anomaly, without waiting to the periodical control, made with the Test push button.

The instrument, fitted with filters at the input circuits, is practically im-

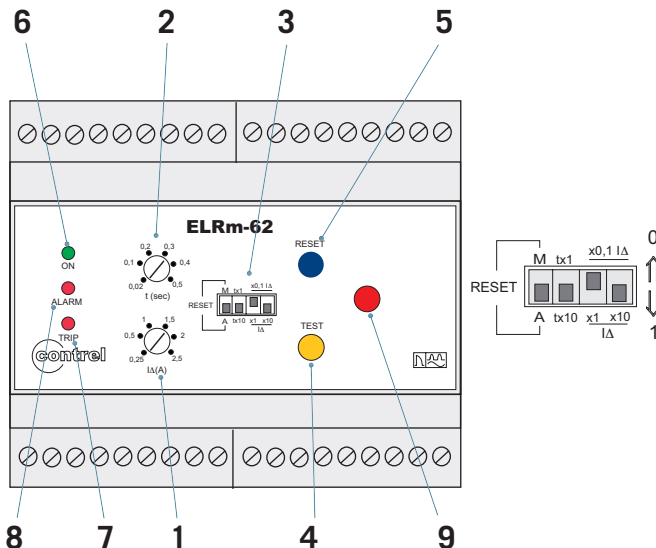
MODELS	
ELR-61 / ELR-m61 ELR-62 / ELR-m62	110-230-400 Vac
ELR-61 / ELR-m61 ELR-62 / ELR-m62	24-48 Vac/dc
ELR-61 / 10 setting trip current 10mA	110-230-400 Vac

OPTIONS	
F	built-in filter for 3rd harmonic
SP	fail safe
T	tropicalisation

mune to external disturbances, so as the pulse currents with dc components, complying with the requirements of VDE 0664 and project IEC 23 Standards.

The optional alarm feature (ELR-62) tripping at 70% of the adjusted tripping current, may advise in advance about a lack of isolation situation.

LEGEND



1	Tripping time delay setting potentiometer
2	Tripping current setting potentiometer.
3	Constant selection microswitch: Constant selection for time settings: K = 1 for micro(b) in position 0; K = 10 for micro (b) in position 1; Constant selection for current settings: K = 0,1 for micros (c-d) in position 0; K = 1 for micro (c) in position 1 and (d) in position 0; K = 10 for micro (c) in position 1 and micro (d) in position 1.
4	Test push button.
5	Manual reset push button.
6	Signalling lamp for Aux. Supply presence (green LED).
7	Signalling lamp for relay tripped (red LED)
8	Signalling lamp for alarm threshold overcome (Red LED) at 70% of the IAN (only for ELR-62 and ELR-m62)
9	Mechanical Signalling (only for ELR-m61 and ELR-m62)

ELECTRICAL CHARACTERISTICS

models and value	ELR- 61**	ELRm-61	ELR-62	ELRm-62
Auxiliary Voltage supply	24-48 Vac/dc		110-230-400 Vac (standard) ± 20%	
Frequency	50 ÷ 60 Hz			
Maximum consumption	4 VA			
Current tripping adjustment range IΔN	0,025÷0,25 A K=0,1 - 0,25÷2,5 A K=1 - 2,5÷25 A K=10 25÷250 A*			
Allarm current range	-		70%	
Tripping time setting range	0,02 ÷ 0,5 sec. K=1 - 0,2 ÷ 5 sec. K=10			
Mechanical Signalisation	-	•	-	•
Output: 2 changeover contacts	5A 250V			
Working Temperature	-10 + 60 °C			
Storing Temperature	-20 + 80 °C			
Relative humidity	90%			
Insulation Test	2,5 kV 60 sec.			
Standards	CEI 41-1/IEC 255/VDE 0664/IEC 755/CEI 64.8/ EN 61008-1(1999-11)/EN 62020 (1999-09) / EN 61543 (1996-09) /EN61326-1(1998-04) / EN 61326/A1 (1999-05)-IEC 60947-2 ANNEX M			
Wiring method	Screw terminals for cross section wires 2,5 mm ²			
Protection degree according DIN 40050	IP 20			

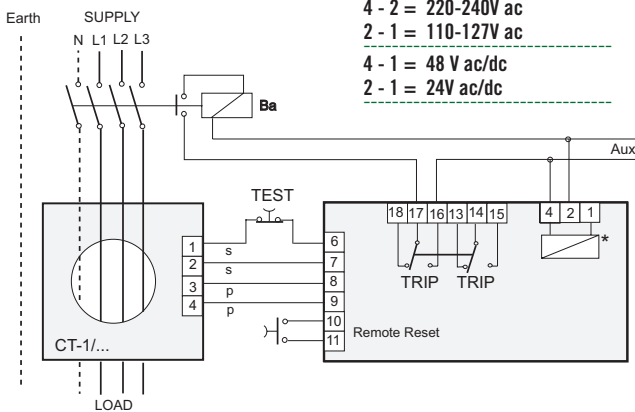
*By means of external multiplier (see pag. 40) - ** Available with current tripping adjustment range 0,01÷10A

WIRING DIAGRAM - LEGEND

ELR-61 / ELR-m61

* Auxiliary supply Uaux:

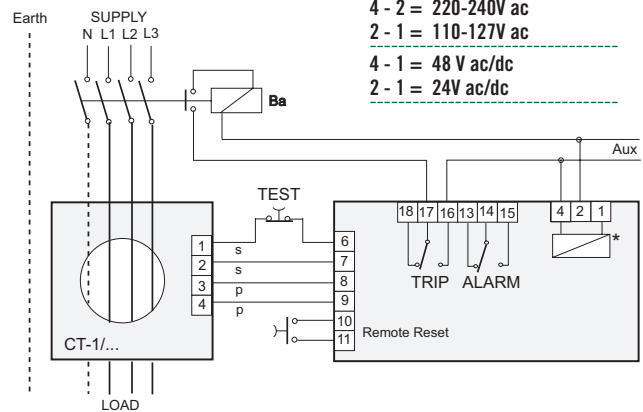
- 4 - 1 = 380-415 V ac
- 4 - 2 = 220-240V ac
- 2 - 1 = 110-127V ac
- 4 - 1 = 48 V ac/dc
- 2 - 1 = 24V ac/dc



ELR-62 / ELR-m62

* Auxiliary supply Uaux:

- 4 - 1 = 380-415 V ac
- 4 - 2 = 220-240V ac
- 2 - 1 = 110-127V ac
- 4 - 1 = 48 V ac/dc
- 2 - 1 = 24V ac/dc



DIMENSIONS

