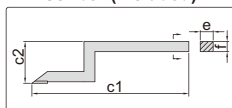


DIGITAL HEIGHT GAGE

DATA
OUTPUT

- Resolution: 0.01mm/0.0005"
- Buttons: on/off, zero, mm/inch, ABS/INC, data hold, TOL, set
- ABS/INC is for absolute and incremental measurement
- TOL is for tolerance measurement
- Carbide tipped scriber
- Made of stainless steel (except the base)
- LR44 battery
- Data output
- Supplied with dial test indicator holder
- Supplied with dust cover (except 1150-1500/2000)
- Optional accessory: data output cable (code 7301-SPC5)

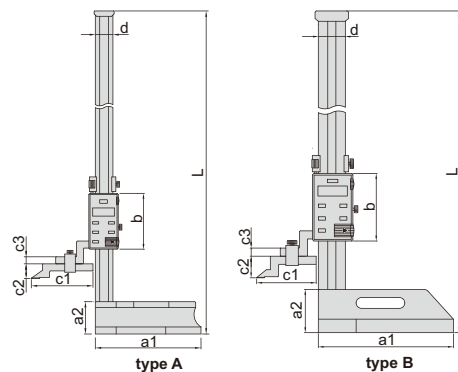
scriber (included)



data output cable



7301-SPC5



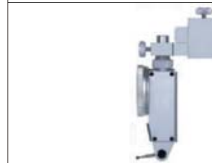
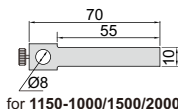
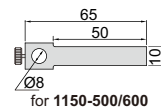
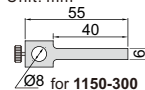
type A

type B

dial test indicator
holder (included)



Unit: mm



1150-1000

1150-500

(mm)

Code	Range	Type	Accuracy	L	a1	a2	b	c1	c2	c3	d	e	f
1150-300	0-300mm/0-12"	A	±0.04mm	470	135	45	80	76	25	10	23	6	8
1150-500	0-500mm/0-20"	A	±0.05mm	720	180	55	95	103	25	12	30	10	12
1150-600	0-600mm/0-24"	A	±0.05mm	820	180	55	95	103	25	12	30	10	12
1150-1000	0-1000mm/0-40"	B	±0.07mm	1275	250	80	125	110	39	15	50	10	15
1150-1500	0-1500mm/0-60"	B	±0.11mm	1790	280	80	125	110	39	15	50	10	15
1150-2000	0-2000mm/0-80"	B	±0.15mm	2290	280	80	125	110	39	15	50	10	15

supplied with dust cover
(except 1150-1500/2000)

